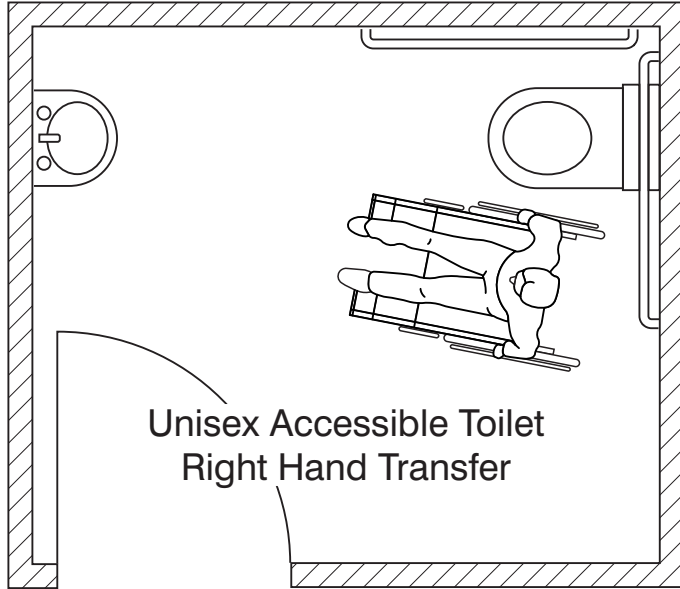
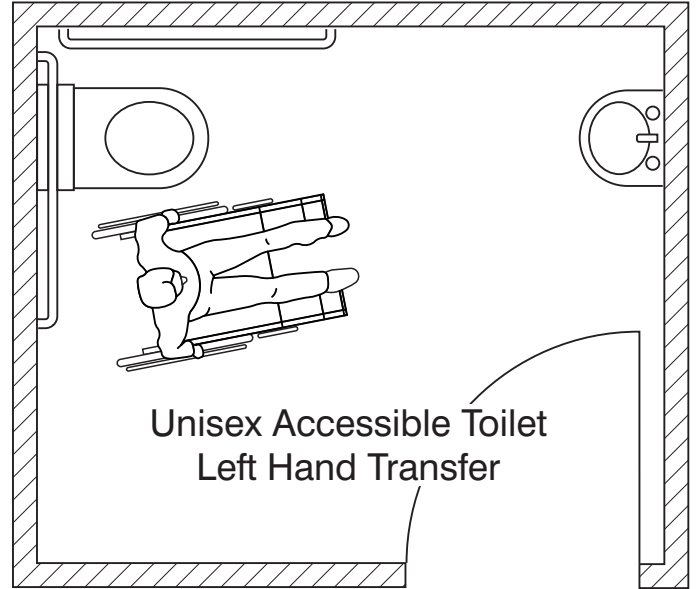


The plans below are provided to assist in determining whether an accessible toilet is LH (left hand) or RH (right hand) transfer. NB: The transfer handing is determined by the relationship between user and pan. It has nothing to do with the doorway.



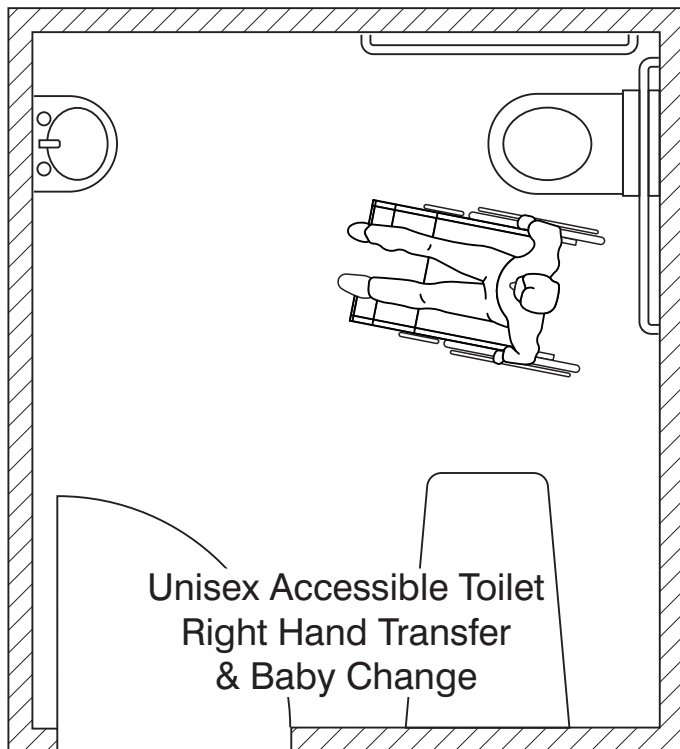
Sign Required

Acrylic: PBW-UATR
SNA Aluminium: AA-UATR
Stainless Steel: SS-UATR



Sign Required

Acrylic: PBW-UATL
SNA Aluminium: AA-UATL
Stainless Steel: SS-UATL



Sign Required

Acrylic: PBW-UATRB
SNA Aluminium: AA-UATRB
Stainless Steel: SS-UATRB



Sign Required

Acrylic: PBW-UATLS
SNA Aluminium: AA-UATLS
Stainless Steel: SS-UATLS

